
Product Manual

ViraSafe™ Lentiviral Packaging System, Pantropic

Catalog Number

VPK-206

1 kit

FOR RESEARCH USE ONLY
Not for use in diagnostic procedures



CELL BIOLABS, INC.
Creating Solutions for Life Science Research

Introduction

Lentivirus vector based on the human immunodeficiency virus-1 (HIV-1) has become a promising vector for gene transfer studies. The advantageous feature of lentivirus vector is the ability of gene transfer and integration into dividing and non-dividing cells. The pseudotyped envelope with vesicular stomatitis virus envelope G (VSV-G) protein broadens the target cell range. Lentiviral vectors have been shown to deliver genes to neurons, lymphocytes and macrophages, cell types that previous retrovirus vectors could not be used. Lentiviral vectors have also proven to be effective in transducing brain, liver, muscle, and retina *in vivo* without toxicity or immune responses. Recently, the lentivirus system is widely used to integrate siRNA efficiently in a wide variety of cell lines and primary cells both *in vitro* and *in vivo*.

Lentivirus particles are produced from 293T cells through transient transfection of plasmids that encode for the components of the virion (Figure 1). Due to safety concerns regarding the infectious nature of HIV-1, recent lentiviral packaging systems have separated the viral components into 3 or 4 plasmids. However, these systems still present a small chance of generating replication-competent lentivirus upon recombination. In addition, most commercial lentiviral packaging systems provide plasmids containing the viral structure proteins in a premixed formulation, making it nearly impossible to optimize the ratio of the various plasmids for your particular experiment and host cell.

Cell Biolabs' ViraSafe™ Lentiviral Packaging System provides a much safer method to package lentivirus, while still providing high viral titers. In addition, each plasmid is provided separately rather than in a packaging mixture. This allows you the flexibility to amplify individual plasmids and optimize the ratio of plasmids for your experiment.

Key Features of ViraSafe™ Lentiviral Packaging System

1. Packaging Plasmids: Improve the packaging plasmid to increase performance and reduce the likelihood of recombination between vector components.
 - a. Minimize HIV sequences – no accessory proteins, Tat or Rev, or LTRs
 - b. Prevent overlap with vector SM by codon wobbling Gag sequences
 - c. Boost particle production by incorporating adenovirus VA_I element
2. Flexible: All vectors including packaging vectors are provided separately to allow end-user to optimize the vector ratio for maximal lentivirus production.

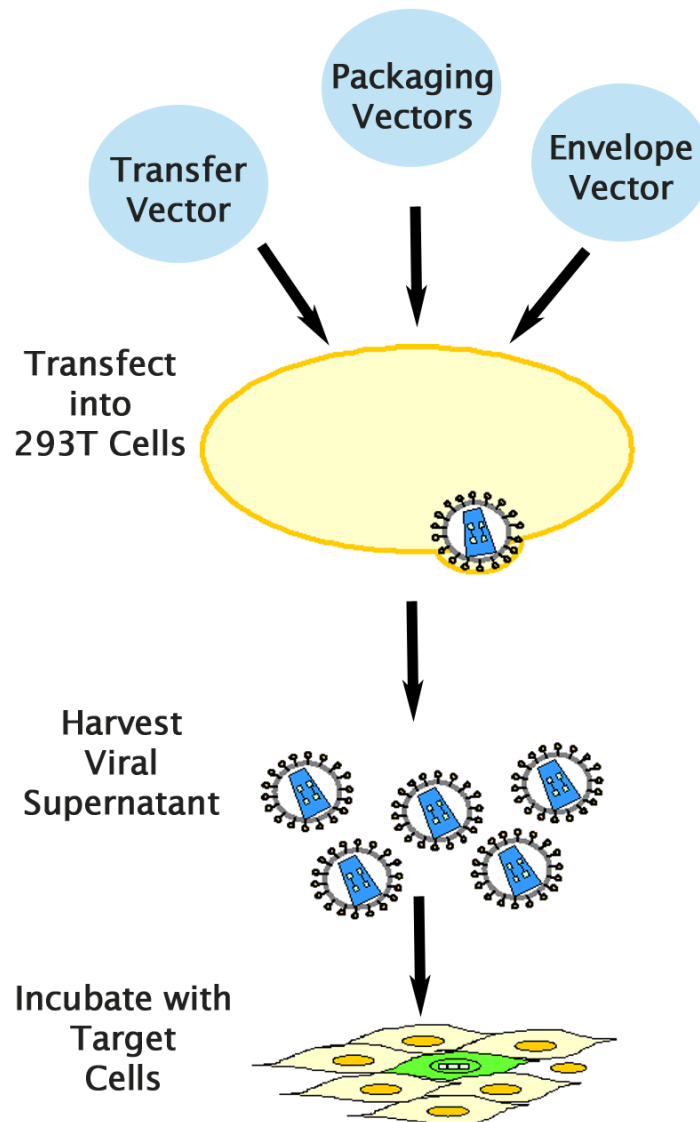
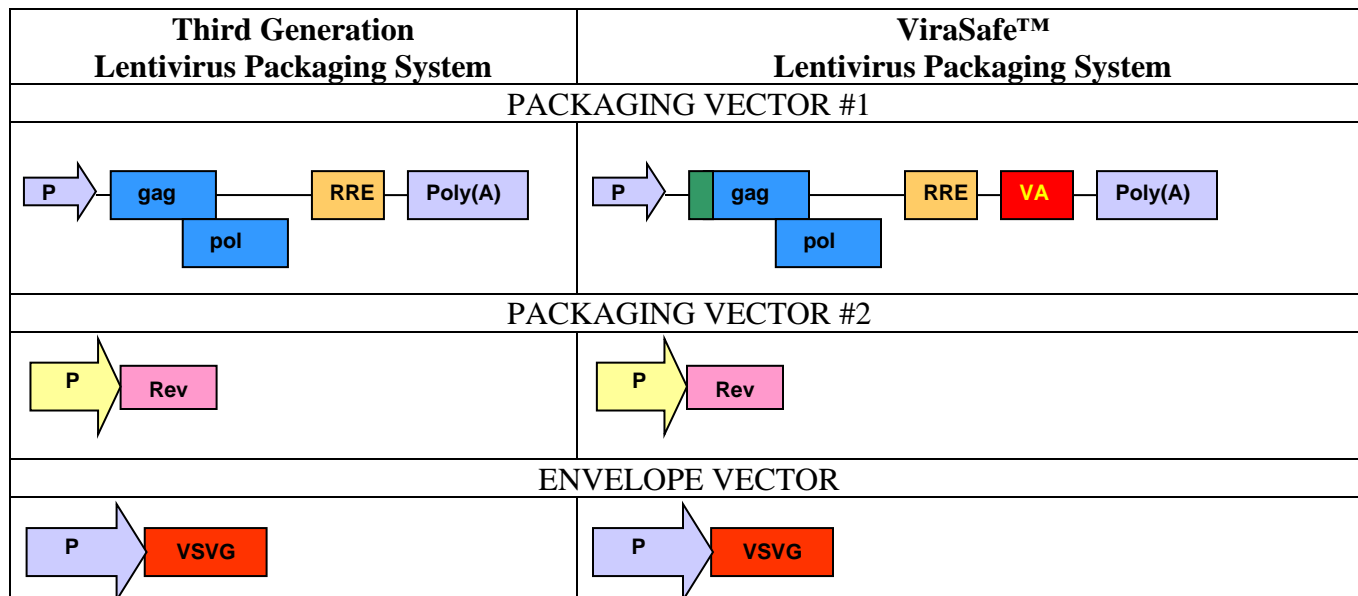


Figure 1. Lentivirus Production in 293T Cells

Related Products

1. LTV-100: 293LTV Cell Line
2. LTV-200: ViraDuctin™ Lentivirus Transduction Kit
3. VPK-107: QuickTiter™ Lentivirus Titer Kit (Lentivirus-Associated HIV p24)
4. VPK-108-H: QuickTiter™ Lentivirus Quantitation Kit (HIV p24 ELISA)
5. VPK-211: pSMPUW Universal Lentiviral Expression Vector (Promoterless)

Unique Elements of the ViraSafe™ Lentivirus Packaging System



Vector Name	Element	Name	Benefits compared to 3 rd Generation System
ELEMENTS ADDED			
Packaging Vector #1		Codon Wobble	<ul style="list-style-type: none"> Increased safety: reduces sequence homology
		Adenovirus VA	<ul style="list-style-type: none"> Increased viral titer

Kit Components

1. pRSV-Rev Packaging Vector (Part No. 320022): One 40 µL vial at 0.25 mg/mL.
2. pCMV-VSV-G Envelope Vector (Part No. RV-110): One 40 µL vial at 0.25 mg/mL.
3. pCgpV Packaging Vector (Part No. 320024): One 40 µL vial at 0.25 mg/mL.

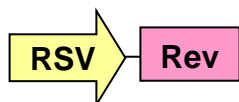


Figure 2: pRSV-Rev Packaging Vector (4180 bp, **Ampicillin**-resistant). EcoRI Digestion: 300 bp + 3880 bp

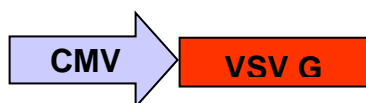


Figure 3: pCMV-VSV-G Envelop Vector (6055 bp, **Ampicillin**-resistant). EcoRI Digestion: 787 bp + 1668 bp + 3596 bp.

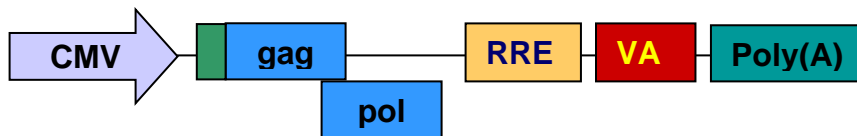


Figure 4: pCgpV Packaging Vector (9118 bp, **Ampicillin**-resistant). Pst I Digestion: 927 bp + 1424 bp + 6767 bp.

Materials Not Supplied

1. Lentiviral Transfer Vector
2. 293T cells: we recommend 293LTV Cell Line (Cat. # LTV-100) for high titer production of lentivirus.
3. Cell Culture Medium
4. Transfection Reagents

Storage

Store all components at -20°C.

Safety Considerations

Remember that you will be working with samples containing infectious virus. Follow the recommended NIH guidelines for all materials containing BSL-2 organisms. The ViraSafe™ Universal Lentiviral Expression System is designed to minimize the chance of generating replication-competent lentivirus, but precautions should still be taken to avoid direct contact with viral supernatants.

Lentivirus Production

1. One day before transfection, plate sufficient 293T cells or 293LTV cells (cat.# LTV-100) to achieve 70-80% confluence on the day of transfection.
2. Transfect cells by Calcium Phosphate or other transfection reagents.

Note: We suggest transfecting cells with FuGENE® Transfection Reagent (Roche Applied Science) or Lipofectamine™ Plus (Invitrogen). We recommend the ratio of vectors at 3:1:1:1 (transfer vector: pCMV-VSV-G:pRSV-REV:pCgpV).

3. Harvest lentiviral supernatant 36-72 hours after transfection. Supernatant can be harvested 2 or 3 times, every 12 hours. Keep it at 4°C over the collecting period.
4. Pool the collected supernatants, centrifuge 5 minutes at 1500 rpm to remove cell debris and filtrate on 0.22 µm.
5. Supernatants can be used directly or purified/concentrated if needed. For long term storage, store supernatant at -80°C in aliquots.

Post-Packaging Considerations

Packaging your lentivirus is only the first step to ensuring successful expression of your gene. The following steps should be considered prior to infection of your host cell:

1. **Concentration and purification of your lentivirus:** Because of the latent nature of lentivirus, it is imperative that your virus be highly concentrated before infecting your host cell. Also, impurities from your viral supernatant can decrease the efficiency of infection.
2. **Measure the titer of your lentivirus:** This is an important step to ensure consistent viral transduction into your host cell. However, QPCR or stable clone counting can take as much as 1-2 weeks to perform. Traditional p24 ELISA kits can greatly overestimate your lentiviral titer. Our advanced p24 ELISA, QuickTiter™ Lentivirus Titer Kit (Catalog # VPK-107), uses exclusive technology that eliminates free p24 from your supernatant, giving you much more accurate lentiviral titers. Results are obtained in 6-18 hours.
3. **Use transduction reagents to increase infection efficiency:** Many cells are difficult to infect with lentivirus, and without supplemental reagents transduction efficiencies can be low. Reagents such as Polybrene® can help, but are often insufficient. Cell Biolabs' proprietary reagents in our ViraDuctin™ Lentivirus Transduction Kit (Catalog # LTV-200) form a super-complex with your virus to increase transduction efficiencies by promoting virus and cell interaction.

References

1. Chen, M. et al. (2002). *Nature Genetics* **32**(4): 670-675.
2. Naldini, L., U. Blomer, P. Gallay, D. Ory, R. Mulligan, F. H. Gage, I. M. Verma, and D. Trono (1996) *Science* **272**:263-267.
3. Verma, I. M., and N. Somia (1997) *Nature* **389**:239-242
4. Kahl C. A., Marsh J., Fyffe J., Sanders D. A., and K. Cornetta (2004) *J Virol.* **78**:1421-30.
5. White S. M., Renda M., Nam N. Y., Klimatcheva E., Zhu Y., Fisk J., Halterman M., Rimel B. J., Federoff H., Pandya S., Rosenblatt J. D., and V. Planelles (1999) *J Virol.* **73**:2832-40.
6. Kafri T., van Praag H., Ouyang L., Gage F. H., and I. M. Verma (1999) *J Virol.* **73**:576-84.

Recent Product Citations

1. Kelenis, D.P. et al. (2022). Inhibition of karyopherin β 1-mediated nuclear import disrupts oncogenic lineage- defining transcription factor activity in small cell lung cancer. *Cancer Res.* doi: 10.1158/0008-5472.CAN-21-3713.
2. Han, S.J. et al. (2022). Steroid receptor coactivator-3 inhibition generates breast cancer antitumor immune microenvironment. *Breast Cancer Res.* **24**(1):73. doi: 10.1186/s13058-022-01568-2.
3. Moy, R.H. et al. (2022). Functional genetic screen identifies ITPR3/calcium/RELB axis as a driver of colorectal cancer metastatic liver colonization. *Dev Cell.* **57**(9):1146-1159.e7. doi: 10.1016/j.devcel.2022.04.010.
4. Banerjee, D. et al. (2021). A non-canonical, interferon-independent signaling activity of cGAMP triggers DNA damage response signaling. *Nat Commun.* **12**(1):6207. doi: 10.1038/s41467-021-26240-9.

5. Huna, A. et al. (2021). Loss of the Metastasis Suppressor NME1, But Not of Its Highly Related Isoform NME2, Induces a Hybrid Epithelial–Mesenchymal State in Cancer Cells. *Int. J. Mol. Sci.* **22**(7):3718. doi: 10.3390/ijms22073718.
6. Xie, W. et al. (2021). Pterostilbene accelerates wound healing by modulating diabetes-induced estrogen receptor β suppression in hematopoietic stem cells. *Burns Trauma*. doi: 10.1093/burnst/tkaa045.
7. Low, J.L. et al. (2021). A chemical genetic screen identifies Aurora kinases as a therapeutic target in EGFR T790M negative, gefitinib-resistant head and neck squamous cell carcinoma (HNSCC). *EBioMedicine*. **64**:103220. doi: 10.1016/j.ebiom.2021.103220.
8. Tavora, B. et al. (2020). Tumoural activation of TLR3-SLIT2 axis in endothelium drives metastasis. *Nature*. doi: 10.1038/s41586-020-2774-y.
9. Madan, E. et al. (2019). HIF-transcribed p53 chaperones HIF-1 α . *Nucleic Acids Res.* pii: gkz766. doi: 10.1093/nar/gkz766.
10. Madan, E. et al. (2019). Flower isoforms promote competitive growth in cancer. *Nature*. doi: 10.1038/s41586-019-1429-3.
11. Aldi, S. et al. (2019). Dual roles of heparanase in human carotid plaque calcification. *Atherosclerosis*. **283**:127-136. doi: 10.1016/j.atherosclerosis.2018.12.027.
12. Guan, Y. et al. (2018). HMGB1 promotes the starvation-induced autophagic degradation of α -synuclein in SH-SY5Y cells Atg 5-dependently. *Life Sci.* **202**:1-10. doi: 10.1016/j.lfs.2018.03.031.
13. Kim, S.C. et al. (2018). Establishment and Characterization of Paired Primary and Peritoneal Seeding Human Colorectal Cancer Cell Lines: Identification of Genes That Mediate Metastatic Potential. *Transl Oncol.* **11**(5):1232-1243. doi: 10.1016/j.tranon.2018.07.014.
14. Liao, Z-X. et al. (2018). Micro-scale RNA Interference using Iron Oxide Nanoparticle-modified Lentivirus. *ChemNanoMat*. **4**(1): 98-102.
15. Urakami, A. et al. (2017). Development of a novel virus-like particle vaccine platform that mimics immature form of alphavirus. *Clin. Vaccine Immunol.* doi:10.1128/CVI.00090-17.
16. Qiu, Y. et al. (2017). RhoA inhibits the hypoxia-induced apoptosis in osteoblasts. *Int. J. Clin. Exp. Med.* **10**(4):6568-6576.
17. Nguyen, A. et al. (2016). PKLR promotes colorectal cancer liver colonization through induction of glutathione synthesis. *J Clin Invest.* doi:10.1172/JCI83587.
18. Vogt, J. et al. (2014). Protein associated with SMAD1 (PAWS1/FAM83G) is a substrate for Type I bone morphogenetic protein receptors and modulates bone morphogenetic protein signalling. *Open Bio.* **4**:130210.

Notice to Purchaser

This product is sold for research and development purposes only and is not to be incorporated into products for resale without written permission from Cell Biolabs. The patented technology is covered by a license from University of Southern California. By the use of this product you accept the terms and conditions of all applicable Limited Use Label Licenses. You may contact our Business Development department at busdev@cellbiolabs.com for information on sublicensing this technology.

Warranty

These products are warranted to perform as described in their labeling and in Cell Biolabs literature when used in accordance with their instructions. THERE ARE NO WARRANTIES THAT EXTEND BEYOND THIS EXPRESSED WARRANTY AND CELL BIOLABS DISCLAIMS ANY IMPLIED WARRANTY OF MERCHANTABILITY OR WARRANTY OF FITNESS FOR PARTICULAR PURPOSE. CELL BIOLABS' sole obligation and purchaser's exclusive remedy for breach of this warranty shall be, at the option of CELL BIOLABS, to repair or replace the products.

In no event shall CELL BIOLABS be liable for any proximate, incidental or consequential damages in connection with the products.

Contact Information

Cell Biolabs, Inc.
5628 Copley Drive
San Diego, CA 92111
Worldwide: +1 858-271-6500
USA Toll-Free: 1-888-CBL-0505
E-mail: tech@cellbiolabs.com
www.cellbiolabs.com

©2009-2024: Cell Biolabs, Inc. - All rights reserved. No part of these works may be reproduced in any form without permissions in writing.